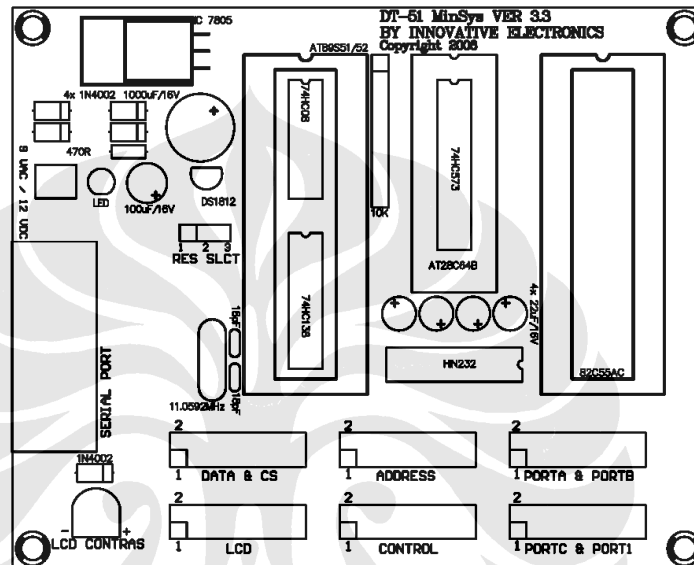


LAMPIRAN

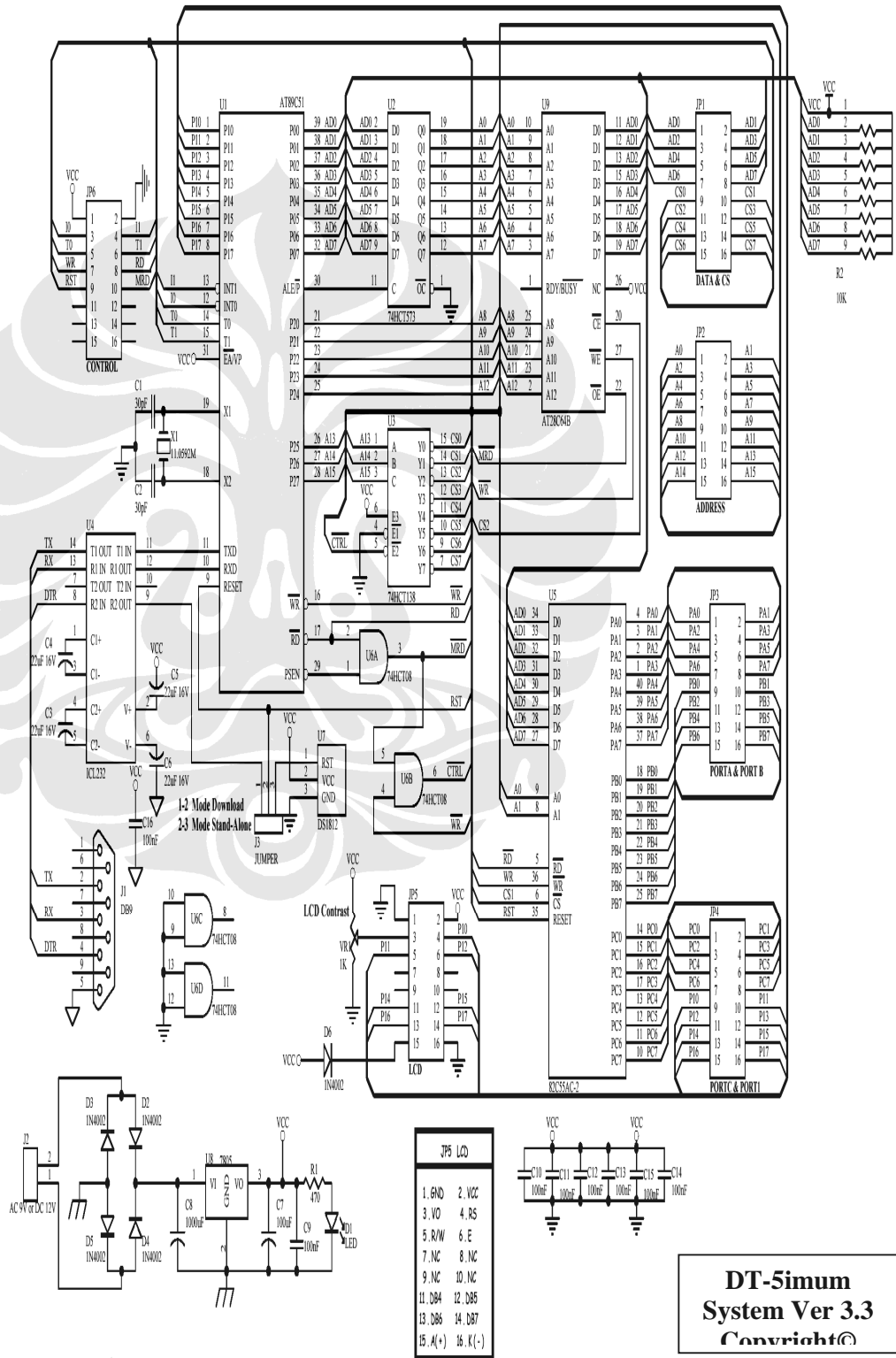
1.SKEMA&LAYOUT DT-51



Tata Letak DT-51 Minimum System ver 3.3

Koneksi Kabel Serial DT-51 Minimum System ver 3.3

PC Serial Port Connector		DT-51 Minimum System ver 3.3 Serial Port Connector
DB9 Female	DB25 Female	DB9 Male
3	2	3
2	3	2
5	7	5
4	20	4



LISTING PROGRAM

```

'Test Keypad Matrix 4x4
'Port A = output (coloumn)
'Port B = input (Row)
'Pulsa ada pada Port A (coloumn)

$large
$regfile = "8052.dat"
$ramstart = &H4000           'Alamat awal dari ROM
$ramsize = &H2000           'byte (jumlah memory ROM)
$crystal = 11059200
$bbaud = 4800

Dim D2 As Byte
Dim C2 As Byte
Dim A As Byte               'baud rate (UNTUK NILAI BAUD RATE GANTI DISINI)
Dim D2 As String * 16 ,
Dim D3 As String * 4
Dim A1 As Byte , B1 As Byte , C1 As Byte
Dim D1 As String * 1
Config Lcdpin = Pin , Db4 = P1.4 , Db5 = P1.5 , Db6 = P1.6 , Db7 = P1.7 , E = P1.2 , Rs = P1.0
Config Timer0 = Counter , Gate = Internal , Mode = 1

Cls
Cursor Off
A = 0
Locate 1 , 1
Lcd "PERANCANGAN MIKON SBG PEMROSES DATA"           'tampilkan display
Locate 2 , 1
Lcd " PENSINYALAN PELANGGAN PLC"
Gosub Shift_char           'geser karakter ke kiri sebanyak 35 kali
Cls                         'bersihkan layar
A = 0
Locate 1 , 1
Lcd " DESIGN BY : NISMA MAULANI"
Locate 2 , 1
Lcd " FAKULTAS TEKNIK ELEKTRO UI"

```

```

    Gosub Shift_char
  Cls

Menu:
Do
Cursor Off
Cls
Gosub Inisialisasi_keypad
C1 = 0
D3 = ""
Lcd "ENTER PASSWORD:"
'Wait 1
'Cls
Do

  A1 = Inp(&H2002)
  Gosub Keypad_table
  Rotate B1 , Left , 1
  Out &H2000 , B1

  If A1 = &B1110 Or A1 = &B1101 Or A1 = &B1011 Or A1 = &B0111 Then
    D3 = D3 + D1
    Cls
    Locate 1 , 7
    Lcd D3 'tampilkan karakter
  End If
  Gosub Cek_pass

Loop
End

Cek_pass:
' baca sampai 6 karakter

If C1 = 4 Then
  Wait 1
  Cls 'angka PASSWORD
If D3 = "1377" Then
  Wait 1
  Cls 'PASSWORD diterima
  Lcd " ACCEPTED "
  Wait 2

```

```

Cls
Gosub Dip                                'sub rutin gps_start
Else
Wait 1
Cls
Lcd "WRONG PASSWORD!!"                    'PASSWORD ditolak
Wait 2
Cls

Loop Until D3 = "1377"                    'Ulangi sampai benar
End If
End If                                    'kembali ke program awal
Return

Dip:

'Do

Do
Reset C2
Out &H2003 , &B10000011
Wait 1
C2 = Inp(&H2001)
Locate 1 , 7
Lcd C2
Wait 3
Cls
Gosub Inisialisasi_keypad
C1 = 0
D3 = ""

Lcd "ENTER DIP:"
Do

A1 = Inp(&H2002)
Gosub Keypad_table
Rotate B1 , Left , 1
Out &H2000 , B1

If A1 = &B1110 Or A1 = &B1101 Or A1 = &B1011 Or A1 = &B0111 Then

```

```

D3 = D3 + D1
D2 = Val(d3)

Cls
Locate 1 , 7
Lcd D3

End If
Gosub Cek_pass2

Loop
End

Cek_pass2:

If C1 = 3 Then
  Wait 1
  Cls

If D2 = C2 Then
  Wait 1
  Lcd " CONNECTED"
  Out &H2002 , 255
  ' Wait 5

  Gosub Pilih          'sub rutin gps_start
Else
  Locate 1 , 7
  Lcd D2
  Wait 1
  Cls
  Wait 1
  Cls
  Lcd "NOT CONNECTED!!"          'PASSWORD ditolak
  Wait 2
  Cls
  Loop Until D2 = C2
  'Ulangi sampai benar

End If
End If

'kembali ke program awal

Return

```

```

Pilih:

Do
Cursor Off
Cls
Gosub Inisialisasi_keypad
C1 = 0
D3 = ""
Lcd "PILIH MENU:"
Wait 1
Cls
Lcd "1. U/ ACCEPT CALL:"
Wait 1
Cls
Lcd "2. U/ REJECT CALL"
Wait 1
Cls
Do

A1 = Inp(&H2002)
Gosub Keypad_table
Rotate B1 , Left , 1
Out &H2000 , B1

If A1 = &B1110 Or A1 = &B1101 Or A1 = &B1011 Or A1 = &B0111 Then
D3 = D3 + D1
Cls
Locate 1 , 7
Lcd D3 'tampilkan karakter
End If
Gosub Cek_pass3

Loop
End

Cek_pass3:
' baca sampai 6 karakter

If C1 = 1 Then
Wait 1
Cls 'angka PASSWORD
If D3 = "1" Then

Wait 1

```

```

Out &H2002 , 0
Cls                                'PASSWORD diterima
Lcd "  ACCEPTED "
Wait 2
Cls
Gosub Dip
End If
End If

If C1 = 1 Then
  Wait 1
  Cls                                'angka PASSWORD
If D3 = "2" Then
  Wait 1
  Out &H2002 , 0
  Cls                                'PASSWORD diterima
  Lcd "  REJECTED "
  Wait 2
  Cls
  Gosub Dip
End If
End If

If C1 = 1 Then
  Wait 1
  Cls                                'angka PASSWORD
If D3 = "0" Then
  Wait 1
  Out &H2002 , 0
  Cls                                'PASSWORD diterima
  Lcd "RETURN TO MAIN MENU "
  Wait 2
  Cls
  Gosub Dip
End If
End If

                                'Ulangi sampai benar
                                'kembali ke program awal

Return

Keypad_table:
"Line 1 "

```



```

If B1 = &B11111110 And A1 = &B1110 Then
  D1 = "1"
  Incr C1
  Lcd D1
Elseif B1 = &B11111110 And A1 = &B1101 Then
  D1 = "4"
  Incr C1
  Lcd D1
Elseif B1 = &B11111110 And A1 = &B1011 Then
  D1 = "7"
  Incr C1
  Lcd D1
Elseif B1 = &B11111110 And A1 = &B0111 Then      '1
  D1 = "*"
  Incr C1
  Lcd D1
.....
"""" Line 2 """"
Elseif B1 = &B11111101 And A1 = &B1110 Then
  D1 = "2"
  Incr C1
  Lcd D1
Elseif B1 = &B11111101 And A1 = &B1101 Then
  D1 = "5"
  Incr C1
  Lcd D1
Elseif B1 = &B11111101 And A1 = &B1011 Then
  D1 = "8"
  Incr C1
  Lcd D1
Elseif B1 = &B11111101 And A1 = &B0111 Then      '2
  D1 = "0"
  Incr C1
  Lcd D1

.....
"""" Line 3 """"
Elseif B1 = &B11111011 And A1 = &B1110 Then
  D1 = "3"
  Incr C1
  Lcd D1
Elseif B1 = &B11111011 And A1 = &B1101 Then
  D1 = "6"

```

```

    Incr C1
    Lcd D1
Elseif B1 = &B11111011 And A1 = &B1011 Then
    D1 = "9"
    Incr C1
    Lcd D1
Elseif B1 = &B11111011 And A1 = &B0111 Then      ' 3
    D1 = "#"
    Incr C1
    Lcd D1
.....

End If
Waitms 25
Return

Inisialisasi_keypad:
    Out &H2003 , &B10000011      'Port A= output ,port B = Input
    B1 = &B11111111
    'Waitms 20
    B1 = &B11111110

Return

Shift_char:
    Waitms 250
    Do
    A = A + 1
    Shiftlcd Left
    Waitms 250
    Loop Until A = 24
    Return

```