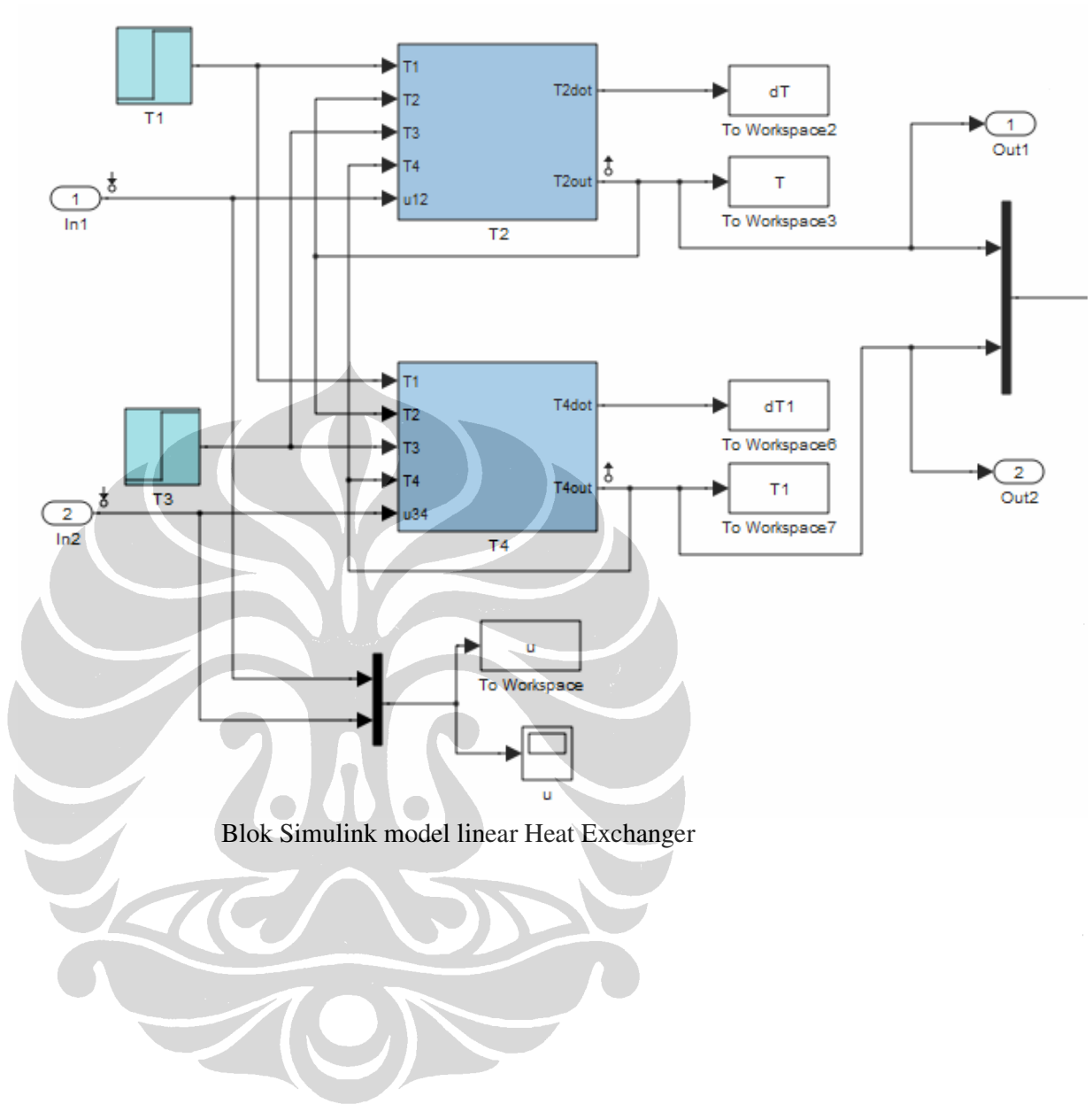
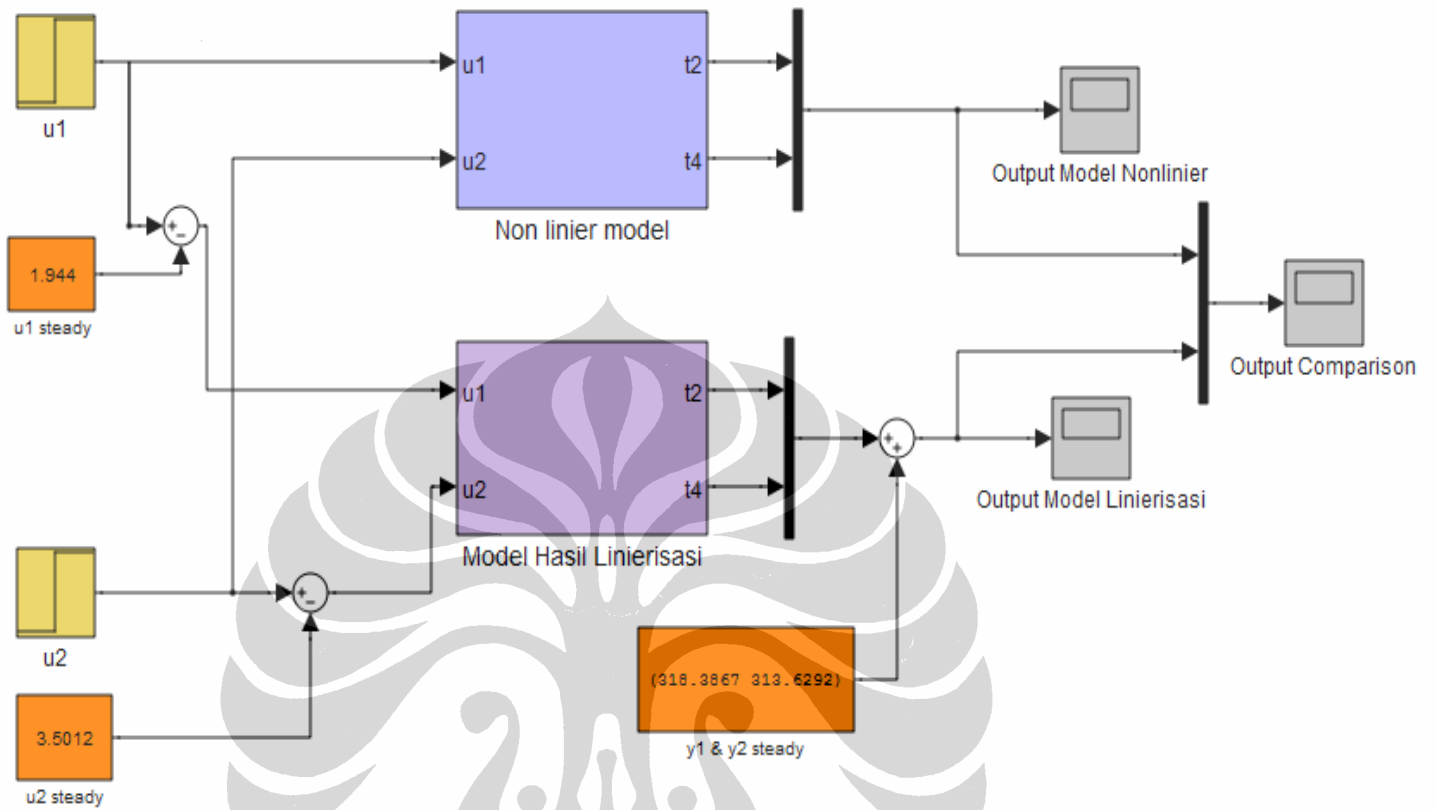


Blok Simulink model non linear Heat Exchanger



Blok Simulink model linear Heat Exchanger



Blok Simulink validasi model Heat Exchanger