

## LAMPIRAN

Lampiran A

Gambar Layout *Barge Loading conveyor*

Lampiran B

Gambar design 3-D dan detail *Reclaim Feeder*

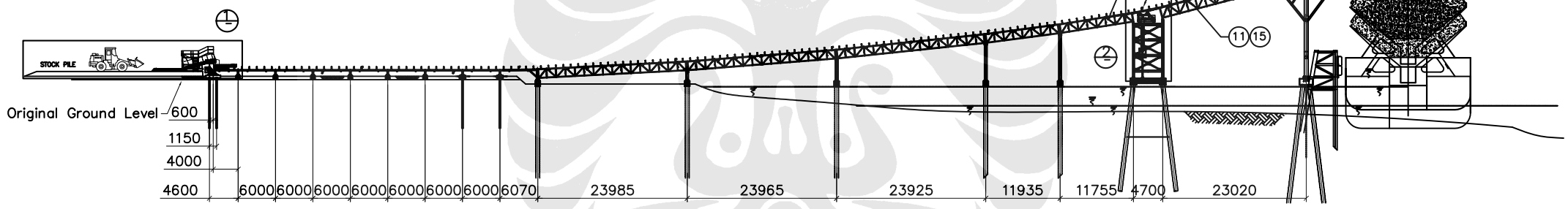
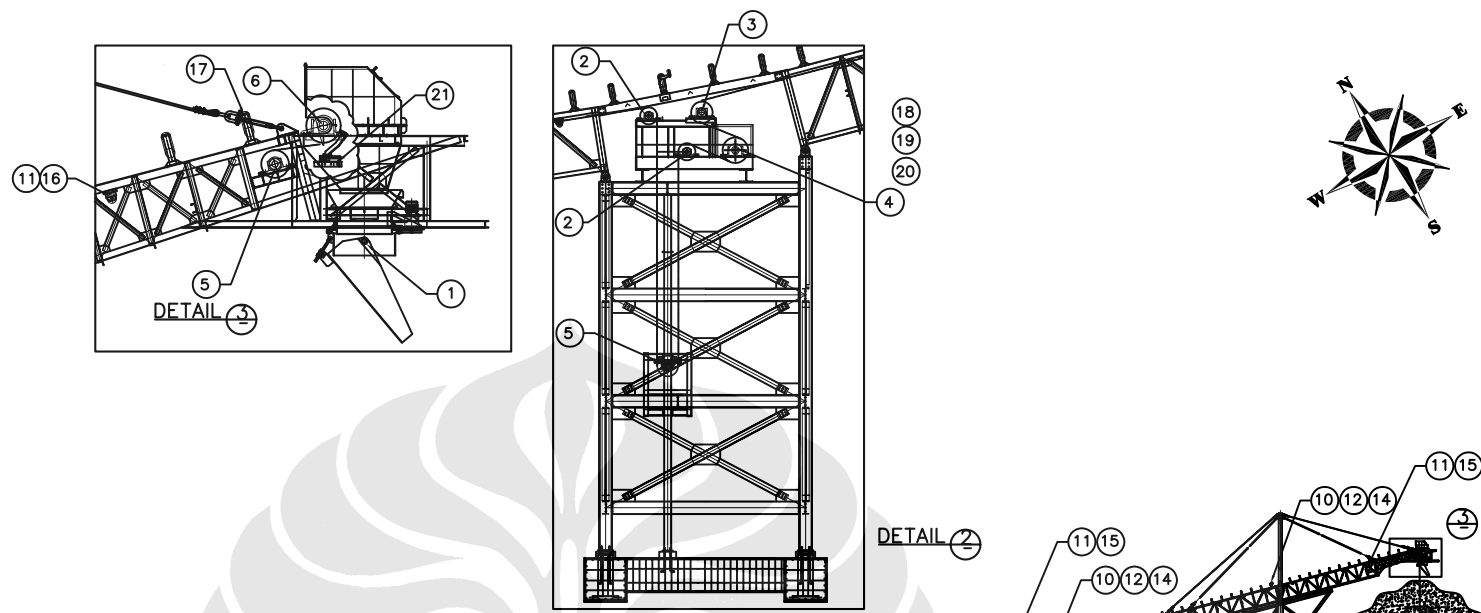




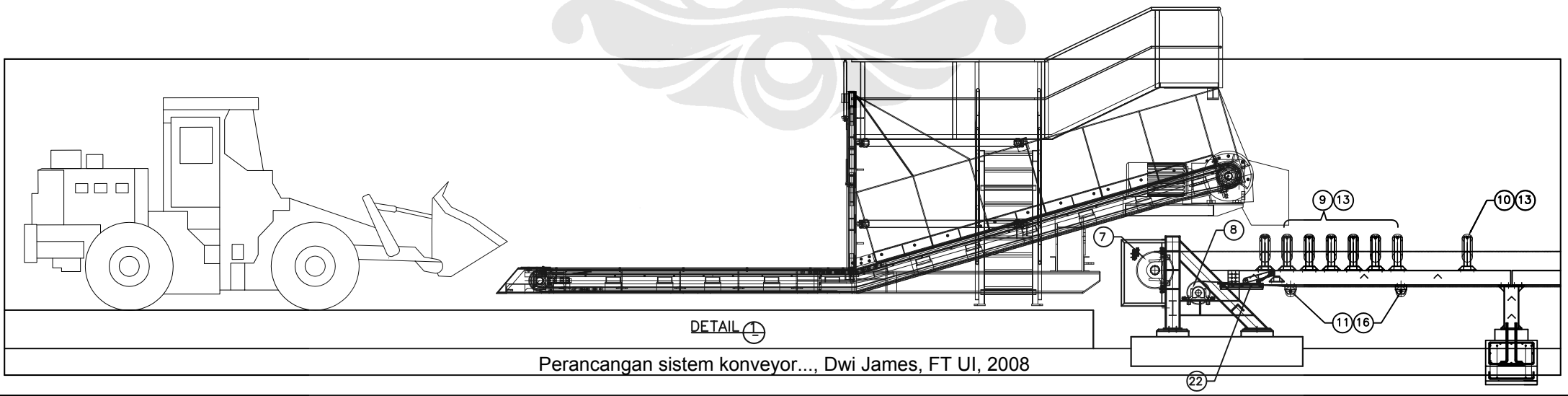
LAMPIRAN A  
GAMBAR LAYOUT  
BARGE LOADING CONVEYOR



No	DESCRIPTION	QTY
1	ROTATING CHUTE	1
2	BEND PULLEY TYPE 1	2
3	BEND PULLEY TYPE 2	1
4	DRIVE PULLEY	1
5	HEAD SNUB PULLEY	2
6	HEAD PULLEY	1
7	TAIL PULLEY	1
8	SNUB TAIL AND HEAD PULLEY	1
9	IMPACT ROLLER	18
10	CARRIER ROLLER	474
11	RETURN ROLLER	60
12	SIDE ROLLER	30
13	BRACKET CARRIER	151
14	SAG CARRIER BRACKET	7
15	SAG RETURN BRACKET	8
16	BRACKET RETURN ROLLER	54
17	BRACKET TRANSITION 20 DEG	2
18	ELECTRIC MOTOR	1
19	FLUID COUPLING	1
20	SPEED REDUCER	1
21	PRIMARY SCRAPER	1
22	SCRAPER TYPE V	1



ELEVATION VIEW FOUNDATION CONVEYOR





**LAMPIRAN B**  
**GAMBAR DESAIN 3-D DAN DETAIL RANTAI YANG**  
**DIGUNAKAN PADA RECLAIM FEEDER**